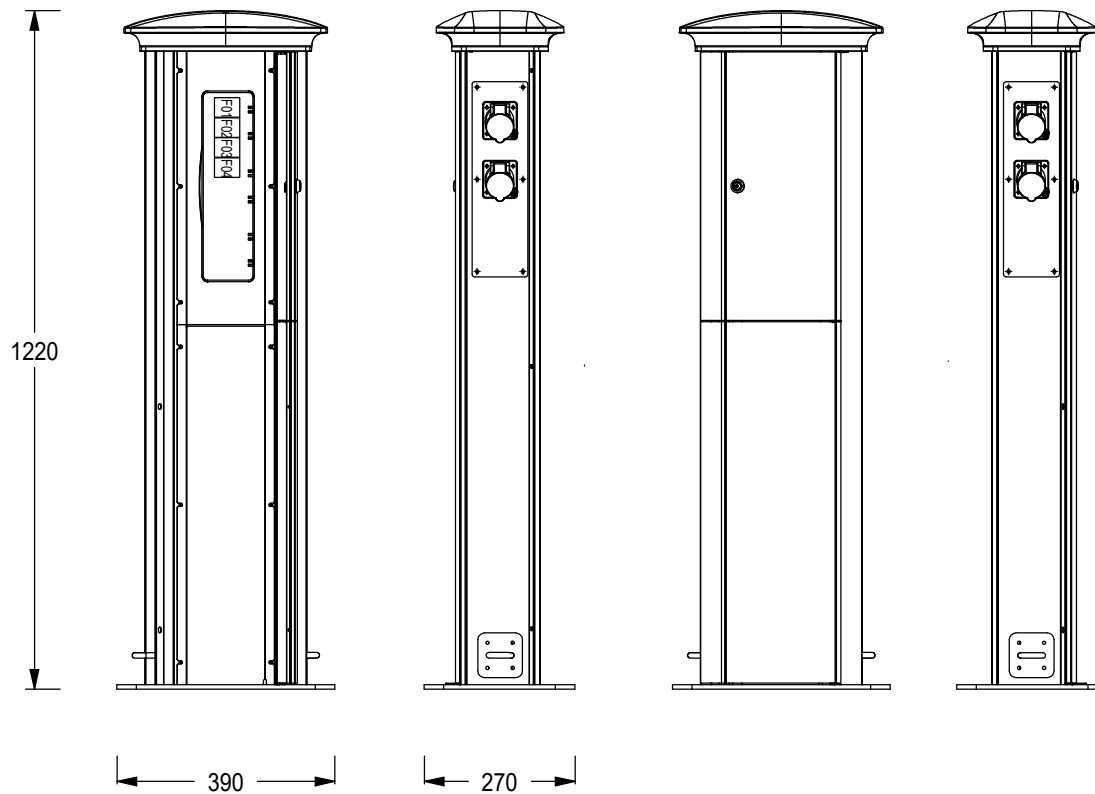


A B C D E F G H J K



ARTIKELNR./  
ARTICLE NO.  
**EB10065**

MÄRKSTRÖM/  
CURRENT RATING  
**32** **A**

MEASURING  
EQUIPMENT  
CURR-  
TRAFO-  
SPACE ENERGY-  
METER-  
SPACE

FAST ANSLUTNING/  
FIXED CONNECTIONS  
<125A >125A

CEE-OUTLETS  
3-POLE/230V  
16A 32A 63A 125A  
**4**

SCHUKO OUTLETS  
2-POLE/230V  
16A

CEE-OUTLETS  
5-POLE/400V  
16A 32A 63A 125A

JFB/RCCB  
<0,03A >0,3A >0,03A & <0,3A  
**4**

JFB/RCCB  
Variable

VIKT/WEIGHT  
**21,5** **kg**

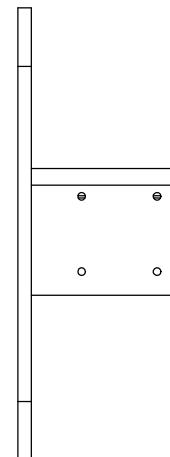
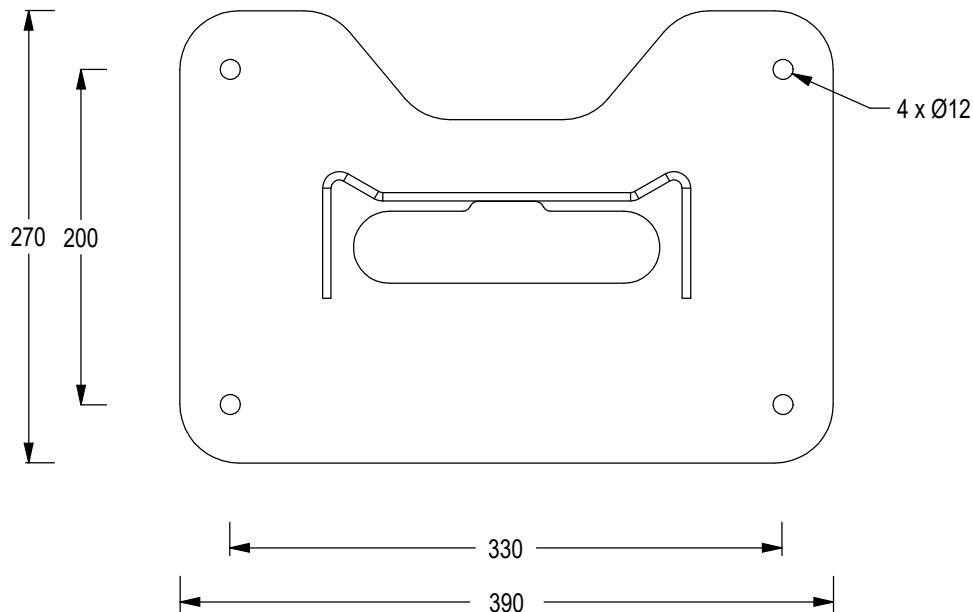
This drawing is property of El-Björn. May not be copied, shown or distributed without our written permission.

Alfa-II 32//((4)-4 EN



RITAD AV/DRAWN BY <b>CG</b>	DATUM/DATE <b>170224</b>	NEXT SHEET <b>2</b>	SHEET <b>1</b>
SIGN	REVISION/ISSUE <b>A*</b>	RITNING NR./DRAWING <b>EB10065</b>	

A B C D E F G H J K



ARTIKELNR./  
ARTICLE NO.  
**EB10065**

MÄRKSTRÖM/  
CURRENT RATING  
**32 A**

MEASURING  
EQUIPMENT  
CURR-  
TRAFO-  
SPACE ENERGY-  
METER-  
SPACE

FAST ANSLUTNING/  
FIXED CONNECTIONS  
<125A >125A

CEE-OUTLETS  
3-POLE/230V  
16A 32A 63A 125A  
**4**

SCHUKO OUTLETS  
2-POLE/230V  
16A

CEE-OUTLETS  
5-POLE/400V  
16A 32A 63A 125A

JFB/RCCB  
<0,03A >0,3A >0,03A & <0,3A  
**4**

JFB/RCCB  
Variable

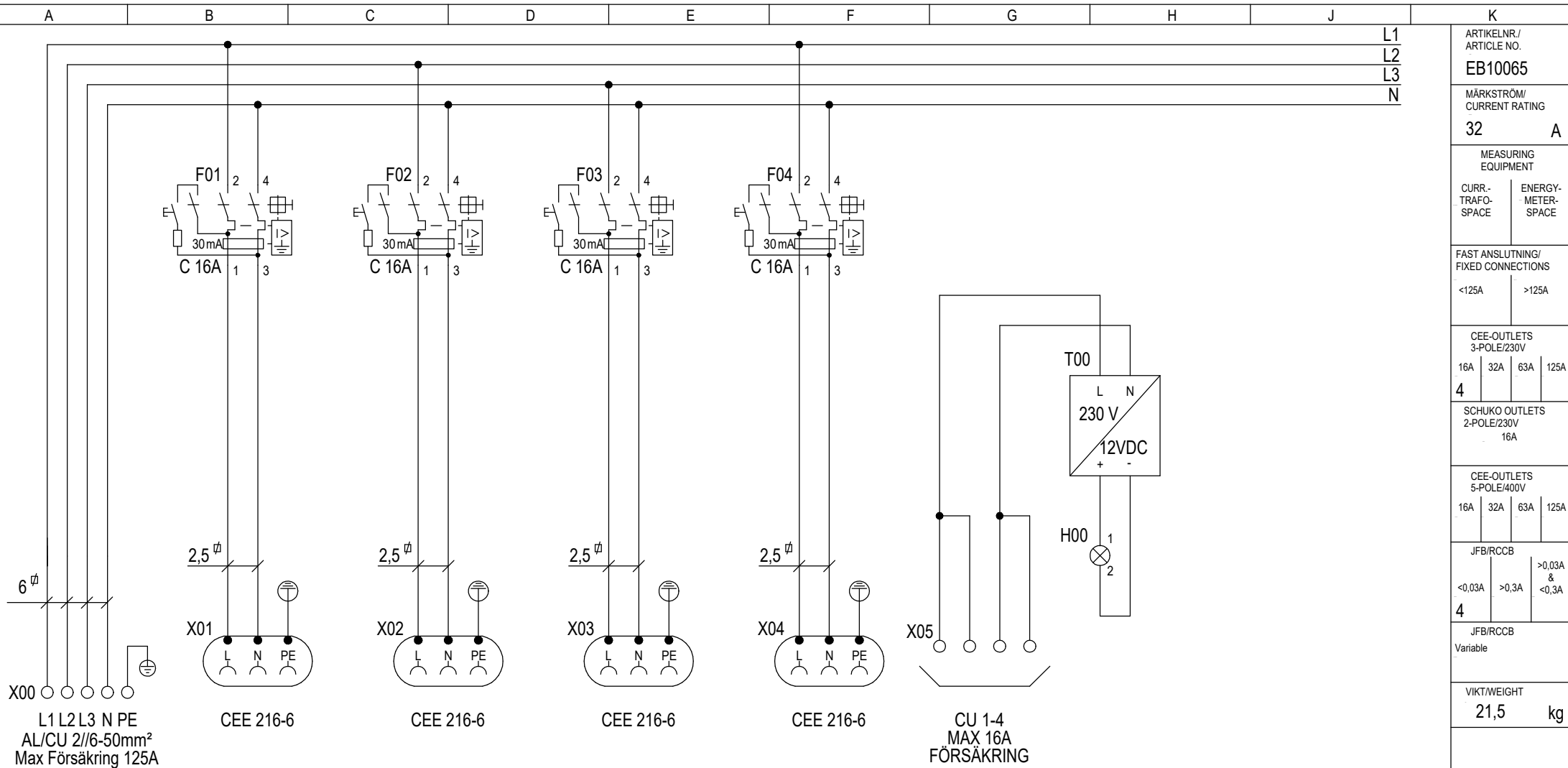
VIKT/WEIGHT  
**21,5 kg**

This drawing is property of El-Björn. May not be copied, shown or distributed without our written permission.

Alfa-II 32/(4)-4 EN



RITAD AV/DRAWN BY <b>CG</b>	DATUM/DATE <b>170224</b>	NEXT SHEET <b>3</b>	SHEET <b>2</b>
SIGN	REVISION/ISSUE <b>A*</b>	RITNING NR./DRAWING <b>EB10065</b>	



ARTIKELNR./ ARTICLE NO.		EB10065	
MÄRKSTRÖM/ CURRENT RATING		32	A
MEASURING EQUIPMENT			
CURR- TRAFO- SPACE	ENERGY- METER- SPACE		
FAST ANSLUTNING/ FIXED CONNECTIONS			
<125A		>125A	
CEE-OUTLETS 3-POLE/230V			
16A	32A	63A	125A
4			
SCHUKO OUTLETS 2-POLE/230V			
16A			
CEE-OUTLETS 5-POLE/400V			
16A	32A	63A	125A
4			
JFB/RCCB		>0,03A & <0,3A	
4		>0,3A & <0,3A	
JFB/RCCB			
Variable			
VIKT/WEIGHT			
21,5		kg	

This drawing is property of El-Björn. May not be copied, shown or distributed without our written permission.

Alfa-II 32//((4)-4 EN



RITAD AV/DRAWN BY	DATUM/DATE	NEXT SHEET	SHEET
CG	170224	4	3
SIGN	REVISION/ISSUE	RITNING NR./DRAWING	
	A*	EB10065	

