

Malin platform

Technical Characteristics:	
Length, mm	6075
Width, mm	4000
Height, mm	810
Weight, kg	666
QTY of floats	10xW800

Material:

- PE floats with EPS filling
- Hot deep galvanized steel platform
 - Welders have certificate EN ISO 9606-1:2017
 - Galvanized according to ISO 1461:2009
- Zinc galvanized fasteners

100% winter guarantee:

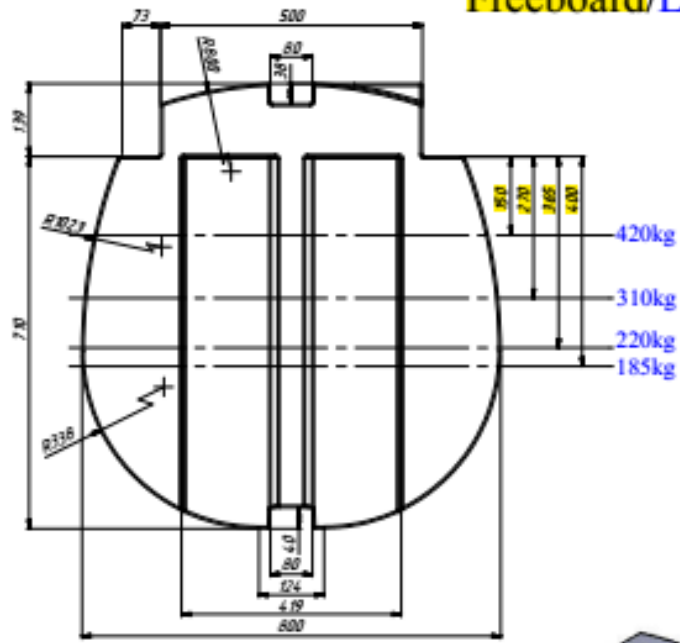
- Floats have EPS (Expanded Polystyrene) 25 inside
- Module maintains its shape and is resistant to mechanical deformations
- Float will not sink in case of hole

Floats Characteristics:

- Material: 8mm PE (Polyethylene)
- Filling inside: 19 kg/m²EPS (Polystyrene)
- Lifting capacity



Freeboard/Load

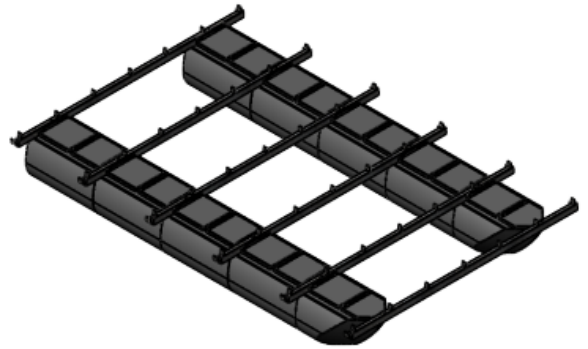
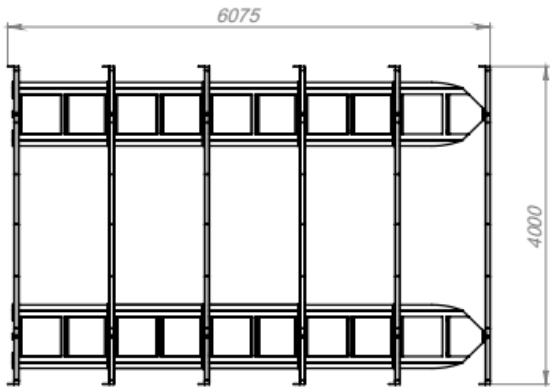
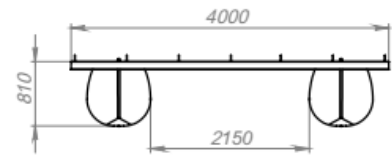


Models:



Name	W800 Front, 2pcs.	W800 Middle, 8pcs.
Dimension a/b/h, mm	1200 / 800 / 890	
Volume, l	425	660

Steel platform:



Element	Characteristics	Quantity, pcs.
Beam	Length 4m	6
Bottom channel	Length 5,13m	2
Metal pipe	H 670	10
Bolt	M16, 1m	10
Washer (for channel)	M16, enlarged	10
Washer (for beam)	M16	10
Lock Nut	M16	20